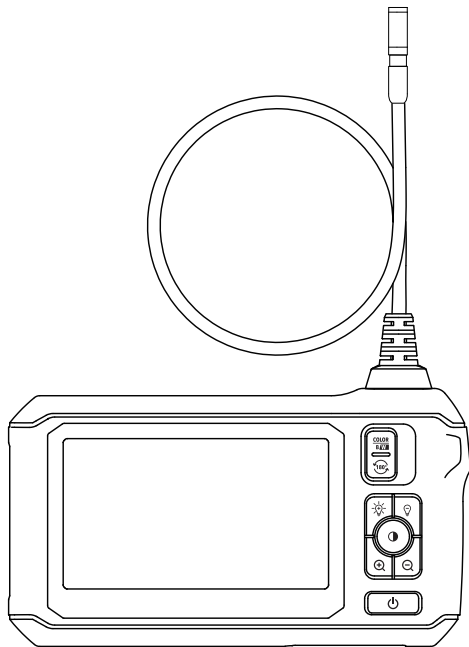


# USER MANUAL

IC3430 INSPECTION CAMERA



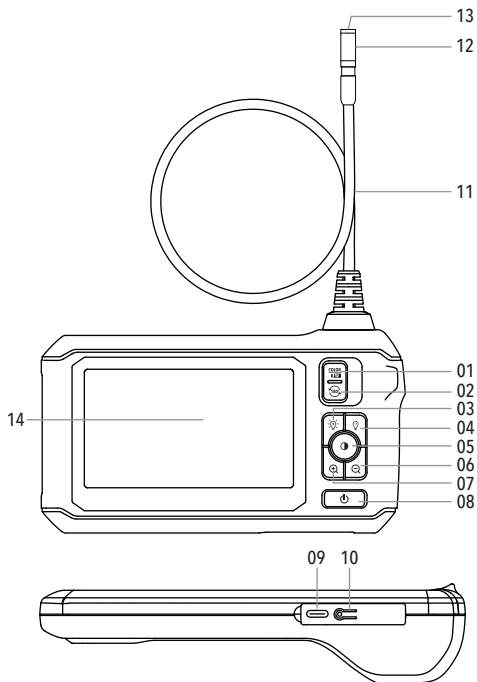
EN ENGLISH

Manual in your  
language?

Check the back cover



## OVERVIEW



## ■ DEVICE

- 01 Image selection (black & white or color)
- 02 Rotate image
- 03 Increase light
- 04 Reduce light
- 05 Contrast button
- 06 Zoom out
- 07 Zoom in
- 08 Power On / Off
- 09 Charging connector (USB type C)
- 10 Reset button / battery indicator
- 11 Gooseneck
- 12 Camera
- 13 LED lights
- 14 Display

## SAFETY

---

Please read the safety instructions provided as separate booklet with the device.

This product is an inspection camera for industrial and building applications. It is not intended for medical use or human examination.

Do not hit the camera violently and do not pull the camera or gooseneck.

When used in an environment with sharp bumps, please use it carefully to prevent the waterproof protective layer of the camera or gooseneck from being scratched.

This inspection camera is not heat-resistant. When checking the interior of an engine or machine, please make sure that the temperature inside the engine or machine is within the operating temperature (see SPECIFICATIONS).

When not in use, please ensure that the lens and the main unit are clean and dry.

Avoid contact with corrosive and dangerous substances, like oil, gasoline, acids, etc.

## FIRST TIME USAGE

---

- Remove all protective foils.
- Read the manual. You can download this user manual in many languages by using the QR codes at the end of this document.
- This measuring tool is calibrated at the plant to the specified accuracy (see SPECIFICATIONS). It is recommended to carry out an accuracy check before the first-time usage and periodic checks during future use.

## BATTERY

---

This device works with a Lithium-Ion battery (see SPECIFICATIONS). Make sure the provided battery is fully charged.

To charge the battery, you can only use a 5V - 1A charger with USB Type C connector for charging. Connect your charger to the charging connector [09]. When charging, the battery indicator [10] is red. When fully charged, the battery indicator [10] is green.

The product does not support fast charging.

## USE

---

### ■ STANDARD USING

---

- Switch on the device by holding the power On/Off button [08] for 3 seconds and check the display [14] and LED lights [15] lights up.

- Slide the gooseneck [11] with camera [12] inside a tube, engine, machine, style wall... Move the gooseneck [11] with camera [12] until you see the object or place you want to inspect on the display [14].
- When your inspection is finished, remove the gooseneck [11] with camera [12] entirely from the tube, engine, machine, style wall...
- Switch off the device by holding the power On / Off button [8] for 3 seconds.

#### ■ IMPROVE THE IMAGE

---

- Press the image selector [01] to switch between black and white image or color image. Black and white images can increase the visibility in dark environments.
- Press rotate image [02] to turn the image 180° in case the image on the display [14] is upside down.
- You can increase the brightness of the LED lights [13] by pressing the button increase light [03]. The output of LED lights [13] will gradually intensify from 0% > 60% > 80% > 100%.
- You can decrease the brightness of the LED lights [13] by pressing the button decrease light [04]. The output of LED lights [13] will gradually drop from 100% > 80% > 60% > 0%.
- Push the contrast button [05] change the contrast of the shown image. You can choose between Normal, Reduced or Intensified.

- After the subject on the image is enlarged, it can be returned to normal size. Use the zoom out button [06] to gradually decrease from 2x > 1.5x > 1x.
- If you want to enlarge the subject on the image, use the zoom in button [07] to gradually increase from 1x > 1.5x > 2x.

#### ■ FAQ

---

What should you do when the image on the display is delayed? Please check whether the product has sufficient power, or restart the device.

What should you do when the image is not sharp? The optimal distance between the camera and the subject is between 2cm-10cm. Please change the distance to the subject or clean the lens of the camera with a clean alcohol cloth.

What should you do when the camera is hot? It is normal for the camera to heat up, especially when the LED lights [13] are used with the highest brightness. This does not affect normal use or service life.

#### ■ ACCESSORIES

---

This device includes following standard accessories. They can be used. Please follow the mounting instructions below in case you want to use one of the accessories.



Fixing device



Hook

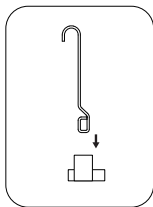


Magnet

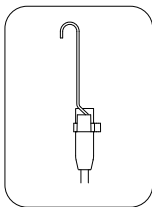


Mirror

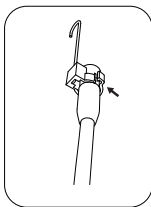
### Installation diagram



1



2



3

### ■ STORAGE AND MAINTENANCE

Do not use this tool in direct sunlight or expose it to temperatures outside the allowed operating temperature (see SPECIFICATIONS).

Do not store the tool in direct sunlight or expose it to temperatures outside the allowed storage temperature (see SPECIFICATIONS).

Use a soft, dry cloth to remove moisture from the tool before storage.

In case of long-term storage (without usage), we recommend to fully charge the battery every 3 months.

Exterior plastic parts may be cleaned with a damp cloth. Although these parts are solvent resistant, never use solvents.

Do not dispose this product with household waste.

## TECHNICAL SPECIFICATIONS

MODEL	IC3430
Lenght goodsneck	5m
Camera diameter	8mm
Camera resolution	1920 x 1080
Viewing angle	70°
Focusing range	20-100mm
Auxiliary lighting	8 adjustable LEDs
Screen type	4.3-inch color display
Charge port	Type-C
Battery	2000mAh
Battery charging time	3 hours
Operating temperature	-25°C - +45°C
Camera temperature	-25°C - +80°C



### DECLARATION OF CONFORMITY

Futech (Belgium) declares under its own responsibility that this device:

- IC3430 INSPECTION CAMERA

is in conformity with the standards

- EN 61000-6-4: 2019

- EN 61000-6-2: 2019

Under EMC Directive

2014/30/EU

Lier, Belgium,  
March 30, 2023  
Patrick Wauters

Potential misprints are reserved. Images used are not strict. All features, functionality and other product specifications are subject to change without notice or obligation.

## NOTES

---



# USER MANUAL

other languages:



DA DANSK



DE DEUTSCH



ES ESPAÑOL



ET EESTI KEEL



FI SUOMEN KIELI



FR FRANÇAIS



IS ÍSLENSKA



IT ITALIANO



NL NEDERLANDS



NO NORSK



PT PORTUGUÊS



SL SLOVENŠČINA



SV SVENSKA



Facebook  
@futechtools



LinkedIn  
futechtools



World Wide Web  
futech-easy.com



YouTube  
@futechtools