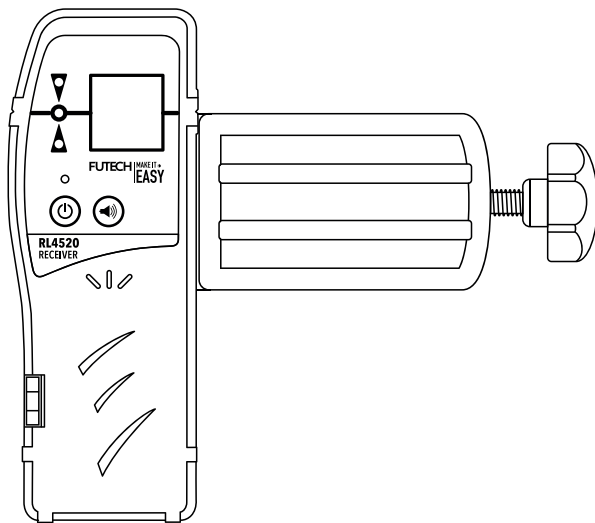


USER MANUAL

RL4520 LASER RECEIVER



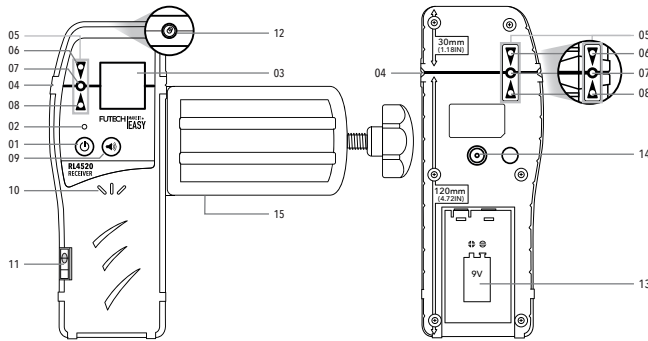
EN ENGLISH

Manual in your
language?

Check the back cover

FUTECH
MAKE IT
EASY

OVERVIEW



DEVICE

- | | |
|----------------------------------|-----------------------------|
| 01 Power button | 12 Round vial |
| 02 Power LED | 13 Battery compartment |
| 03 Reception field | 14 Screw for receiver clamp |
| 04 Center marking | 15 Receiver clamp |
| 05 LED indicator display | |
| 06 High indicator LED (too high) | |
| 07 Level indicator LED (center) | |
| 08 Low indicator LED (too low) | |
| 09 Volume Key | |
| 10 Buzzer | |
| 11 Long vial | |

TECHNICAL SPECIFICATIONS

MODEL	RL4520
Automatic shut-off	10 minutes
Battery	9V alkaline battery
Dimensions	150 x 55 x 26mm
Netto weight	150g (including battery)

USE

Make sure your laserdevice is in receiver mode.

- Press the power button [01] to turn on the device. The power LED [02] will light up.
- Use the volume key [09] to activate or de-activate the buzzer [10].
- Move with your receiver to the laserline. When the laser hits the reception field [03], the LED indicator display will light up [05] and, if activated, the buzzer [10] will sound.

LOCATE HORIZONTAL LASERLINES

- Hold the receiver vertically
- Move the receiver up or down while keeping the round vial [12] in the middle.
 - › If the laserbeam hits the reception field [03] under the centermarking [04], the high LED indicator [06] will light up. (If activated, the buzzer [10] makes a long pulsing sound.)
 - Move the receiver down (in the direction of the arrow around the

LED indicator [06]) to find the center.

- › If the laserbeam hits the receptionfield [03] above the centermarking [04], the low LED indicator [08] will light up. (if activated, the buzzer [10] makes a fast pulsing sound.)
 - Move the receiver up (in the direction of the arrow around the LED indicator [08]) to find the center.
- › If the laserbeam hits the receptionfield [03] exactly in the center, on the centermarking [04], the blue LED indicator [07] will light up. (If activated, the buzzer [10] makes a continuous sound.) The centermarking [04] is now exactly aligned with the laser line.

LOCATE VERTICAL LASERLINES

- Hold the receiver horizontally.
- Move the receiver left or right while keeping the lower vial [11] in the middle.
- › If the laserbeam hits the receptionfield [03] on the right side of the centermarking [04], the left LED indicator [06] will light up.

(If activated, the buzzer [10] makes a long pulsing sound.)

- Move the receiver slowly to the right (in the direction of the arrow around the LED indicator [06]) to find the center.
- › If the laserbeam hits the receptionfield [03] on the left side of the centermarking [04], the right LED indicator [08] will light up. (If activated, the buzzer [10] makes a fast pulsing sound.)
 - Move the receiver to the left (in the direction of the arrow around the LED indicator [08]) to find the center.
- › If the laserbeam hits the receptionfield [03] exactly in the center, on the centermarking [04], the blue LED indicator [07] will light up. (if activated, the buzzer [10] makes a continuous sound.) The centermarking [04] is now exactly aligned with the laser line.

ATTENTION

- This receiver red/green is only compatible with red and green cross line lasers, with a laserfrequency of 10khz in receivermodus
- This receiver red/green is a precision instrument. Avoid storage or usage in an environment with high temperature and/or high humidity.
- Please remove the battery when you don't use this device for a longer time.

CE **RoHS**

DECLARATION OF CONFORMITY

Futech (Belgium) declares under its own responsibility that this device:

· RL4520 LASER RECEIVER

is in conformity with the standards

· EN 55032:2015 + A1:2020 + A11:2020, EN 55035:2017 + A11:2020 (EMC directive 2014/30/ EU has been taken as references for these processes.)

· IEC 62321-3-1:2013, IEC 62321-4:2013 + AMD1:2017, IEC 62321-5:2013, IEC 62321-6:2015, IEC 62321-7-1:2015, IEC 62321-7-2:2017, IEC 62321-8:2017 (RoHS 2.0 Directive (EU) 2015/863 and (EU)-2017/2102 amending Annex II to Directive 2011/65/EU.)

Lier, Belgium, DECEMBER 20, 2023
Patrick Walúters

Potential misprints are reserved. Images used are not strict. All features, functionality and other product specifications are subject to change without notice or obligation.

USER MANUAL

other languages:



DA DANSK



DE DEUTSCH



ES ESPAÑOL



ET EESTI KEEL



FI SUOMEN KIELI



FR FRANÇAIS



IS ÍSLENSKA



IT ITALIANO



NL NEDERLANDS



NO NORSK



PT PORTUGUÊS



SL SLOVENŠČINA



SV SVENSKA



Facebook
@futechtools



LinkedIn
futechtools



World Wide Web
futech-easy.com



YouTube
@futechtools